



无棣智博金属制品有限公司

WUDI ZHIBO METALS CO.,LTD



企业简介

About us

无棣智博金属制品有限公司成立于 2010 年。坐落在美丽富饶的渤海之滨——山东省无棣县，地理位置，得天独厚，濒临青岛港，天津港口，北京临近相连。交通便利，四通八达。是一家专业从事不锈钢产品设计、生产、加工、销售于一体的综合型企业。

我公司采用硅溶胶型壳精密铸造和精密加工、表面处理等世界先进技术，专业生产不锈钢、碳钢、低合金钢、精密铸造件；游艇配件、不锈钢索具、快速接头、汽车配件等，产品广泛应用于海洋运输、石油化工、制药造纸、食品工业、电力船舶等众多领域。产品远销美国、英国、德国、法国、加拿大、澳大利亚、荷兰、台湾、日本、韩国等欧美及东南亚地区，在国内也有良好的销售市场，得到了国内外广大客户的信赖和好评。

智博金属自创立迄今，始终秉承“品质至上、诚信经营”的企业理念，以“共赢”为目的，致力于科技创新，打造企业品牌，满足顾客需求。诚邀世界各地的朋友来我公司参观、洽谈！

Established in 2010, Wudi Zhibo Metals Co., Ltd is located in Wudi County, Shandong Province on which is situated the beautiful and rich shore of Bohai Sea and lies to Qingdao and Tianjin ports. The convenient transportation extends in all directions in China, especially nearby Beijing city. It is a comprehensive enterprise which specializes in stainless steel products from designing, manufacturing including OEM/ODM, and selling.

Our company adopt the global advanced technique of Colloidal Silica Mould Shell precision casting, precision processing and superior surface treatments. It specializes in products of stainless steel, carbon and low alloy steel and precision casting such as marine yacht fittings, stainless steel rigging hardware, camlock coupling and auto accessories, etc. Our products are widely used in many lines as the marine transport, petrochemical industry, pharmaceutical paper making, food industry, electrical equipment and marine boat, etc. They are sold well to USA, UK, Germany, France, Canada, Australia, the Netherlands, Taiwan, Japan, South Korea, Europe and Southeast Asia as well as at home. It has won the trust and credit of clients at home and abroad.

Since the establishment of our company, Wudi Zhibo Metals Co., Ltd adhere to the company philosophy of "Quality First, Creditable Management" with the cooperative utmost goal of the "Win-Win", all the staffs are devoted to the technological innovation, improving designing and producing capacity for the purpose of creating valuable enterprise brand and meeting the requirement of clients.

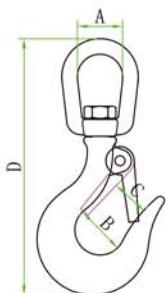
Welcome the friends worldwide to visit our company and make business negotiations.

CATALOGUE

MARINE HARDWARE	1-18
CRANE HOOKS	18-19
SNAP HOOKS	20-24
EYE PLATES	25-26
SHACKLES	26-30
SWIVELS	30-31
PULLEY	31-32
BOLT AND NUT	32-33
TURNBUCKLES	34
THIMBLE	35-36
WIRE ROPE CLIPS	36-37
YACHT ACCESSORIES	38-40
OUTDOOR SPORTS ACCESSORIES	40-41
PRECISION INVESTMENT CASTINGS	42-43

Swivel Eye Crane Hook

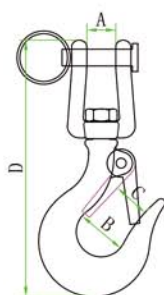
圈式旋转货钩



CODE	SIZE	A	B	C	D	WLL (kg)	WT (KG)
ZB6102-150	3/16"	15.8	17.6	11.0	90.0	150.0	0.082
ZB6102-350	1/4"	22.0	23.9	16.9	114.0	350.0	0.155
ZB6102-650	5/16"	27.0	26.7	20.5	138.0	650.0	0.237
ZB6102-1000	3/8"	28.5	32.8	23.5	158.0	1000.0	0.436
ZB6102-1500	1/2"	36.0	37.8	31.0	190.0	1500.0	0.711

Swivel Jaw Crane Hook

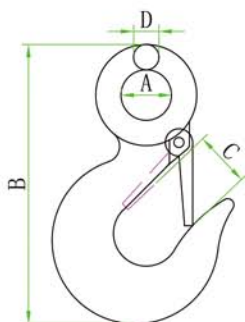
叉式旋转货钩



CODE	SIZE	A	B	C	D	WLL (kg)	WT (KG)
ZB6103-150	3/16"	9.5	17.6	11.0	90.0	150.0	0.090
ZB6103-350	1/4"	12.5	24.0	16.9	114.0	350.0	0.167
ZB6103-650	5/16"	15.0	26.0	20.5	138.0	650.0	0.259
ZB6103-1000	3/8"	17.5	32.8	23.0	158.0	1000.0	0.456
ZB6103-1500	1/2"	36.0	37.8	31.0	190.0	1500.0	0.748

S320 Crane Hook

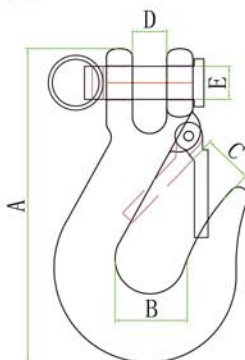
S320 货钩



CODE	SIZE	A	B	C	D	WLL (kg)	WT (KG)
ZB6104-0.5	0.5T	16.5	90.0	16.0	8.0	500.0	0.144
ZB6104-0.75	0.75T	18.5	101.5	18.5	9.0	750.0	0.204
ZB6104-1	1.0T	23.0	114.5	21.0	11.0	1000.0	0.286
ZB6104-1.5	1.5T	28.0	129.5	21.5	12.0	1500.0	0.418
ZB6104-2	2.0T	32.0	153.0	26.0	15.0	2000.0	0.656
ZB6104-3	3.0T	38.0	182.5	31.5	17.5	3000.0	1.257

Crane Hook With Latch

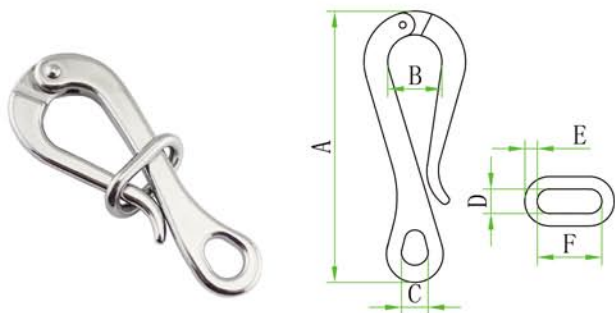
羊角滑钩



CODE	SIZE	A	B	C	D	E	WT (kg)
ZB6105-0.5	1/4"	99.0	22.0	14.5	11.0	10.0	0.218
ZB6105-0.7	5/16"	113.5	25.0	18.5	12.5	12.0	0.328
ZB6105-0.9	3/8"	129.5	28.0	22.0	14.5	14.0	0.468
ZB6105-1.5	1/2"	155.5	33.5	27.0	16.5	16.0	0.778

Quick Release Hook

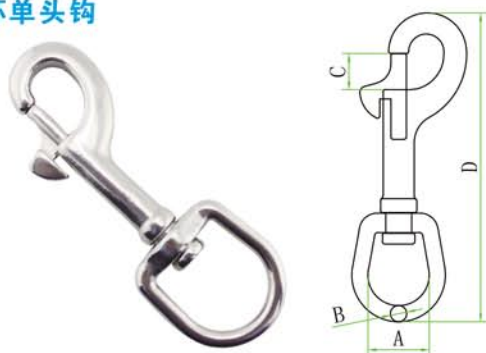
释放钩



CODE	SIZE	A	B	C	D	E	F	WT (KG)
ZB6109-4	4"	100.0	20.0	10.0	9.0	4.5	23.0	0.090

Oval Swivel Snap Hook

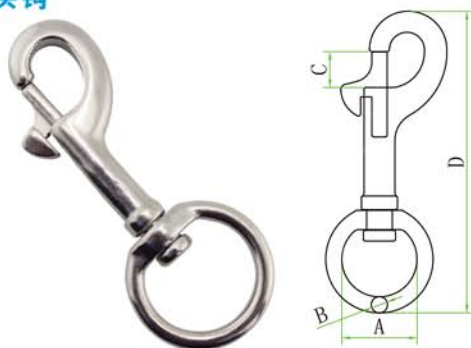
椭圆环单头钩



CODE	SIZE	A	B	C	D	WLL (kg)	WT (KG)
ZB6201-1	1# (3/8"*65)	11.5	3.5	9.0	65.0	30.0	0.022
ZB6201-2	2# (1/2"*72)	13.5	4.0	9.5	72.0	50.0	0.029
ZB6201-3	3# (5/8"*82)	17.5	4.5	10.0	82.0	100.0	0.042
ZB6201-4	4# (3/4"*91)	21.5	5.0	11.5	91.0	120.0	0.048
ZB6201-5	5# (1"*100)	26.5	5.5	12.0	100.0	150.0	0.062
ZB6201-6	6# (1-1/4"*126)	34.0	6.0	14.0	126.0	180.0	0.099

Round Ring Swivel Snap Hook

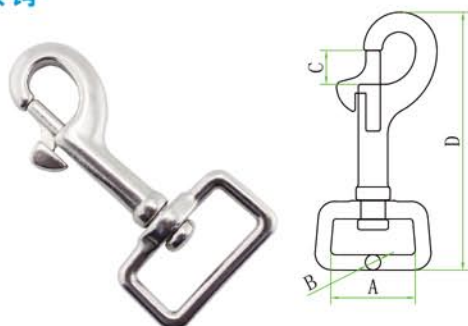
圆环单头钩



CODE	SIZE	A	B	C	D	WLL (kg)	WT (KG)
ZB6202-1	1# (1/2"*63)	14.5	3.5	9.0	63.0	30.0	0.022
ZB6202-2	2# (5/8"*71)	17.5	4.0	9.5	71.0	50.0	0.029
ZB6202-3	3# (3/4"*81)	22.0	4.5	10.0	81.0	100.0	0.042
ZB6202-4	4# (1"*90)	26.0	5.0	11.0	90.0	120.0	0.048
ZB6202-5	5# (1-1/8"*97)	29.0	5.5	12.0	97.0	150.0	0.061
ZB6202-6	6# (1-1/4"*119)	34.5	6.0	14.0	119.0	180.0	0.095

Square Ring Swivel Snap Hook

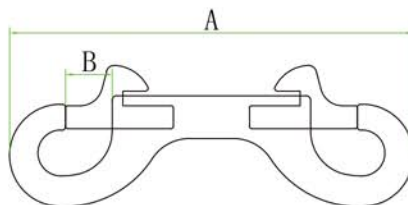
方环单头钩



CODE	SIZE	A	B	C	D	WLL (kg)	WT (KG)
ZB6203-1	1# (5/8"*59)	17.5	3.5	9.0	59.0	30.0	0.022
ZB6203-2	2# (3/4"*66)	23.5	4.0	9.5	66.0	50.0	0.029
ZB6203-3	3# (1"*73)	25.5	4.5	10.0	73.0	100.0	0.042
ZB6203-4	4# (1-1/8"*80)	31.5	5.0	11.0	80.0	120.0	0.049
ZB6203-5	5# (1-1/4"*85)	36.5	5.5	12.0	85.0	150.0	0.061
ZB6203-6	6# (1-1/2"*105)	42.5	6.0	14.0	105.0	180.0	0.099

Double End Snap Hook

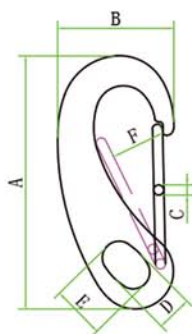
双头钩



CODE	SIZE	A	B	WLL (kg)	WT (KG)
ZB6204-65	65mm	65.0	7.5	30.0	0.030
ZB6204-76	76mm	76.0	8.5	40.0	0.040
ZB6204-90	90mm	90.0	10.0	50.0	0.060
ZB6204-100	100mm	100.0	10.0	90.0	0.070
ZB6204-115	115mm	115.0	12.0	110.0	0.098

Egg Shape Spring Hook

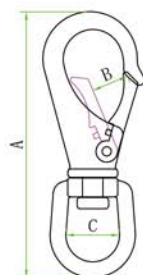
蛋形钩



CODE	SIZE	A	B	C	D	E	F	WLL (kg)	WT (KG)
ZB6205-40	40MM	40.0	19.0	2.0	5.8	8.2	8.8	80.0	0.012
ZB6205-50	50MM	50.0	24.0	2.2	8.3	11.9	11.5	100.0	0.023
ZB6205-70	70MM	70.0	33.0	2.6	9.8	14.5	15.5	300.0	0.054
ZB6205-100	100MM	100.0	49.0	3.5	15.6	21.4	22.7	500.0	0.138

Swivel Snap Hook

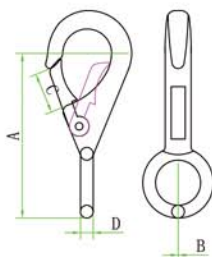
万向钩



CODE	SIZE	A	B	C	WLL (kg)	WT (KG)
ZB6206-0	0#	69.0	6.5	16.0	50.0	0.030
ZB6206-1	1#	88.0	9.0	19.0	70.0	0.063
ZB6206-2	2#	101.0	14.0	21.0	120.0	0.092
ZB6206-3	3#	121.0	16.0	27.0	150.0	0.145

Fixed Eye Snap Hook

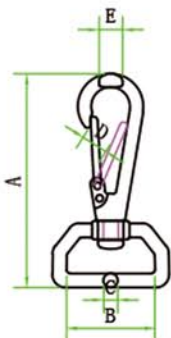
固定弹簧钩



CODE	SIZE	A	B	C	D	WLL (kg)	WT (KG)
ZB6207-0	0#	53.0	10.0	7.0	4.0	50.0	0.020
ZB6207-1	1#	72.0	16.0	12.0	5.0	70.0	0.038
ZB6207-2	2#	83.0	19.0	13.0	6.0	120.0	0.059
ZB6207-3	3#	100.0	22.0	14.0	7.0	150.0	0.114

Square Spring Snap Hook

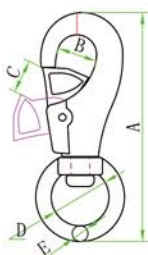
简易方环万向钩



CODE	SIZE	A	B	C	D	E	WLL(kg)	WT(KG)
ZB6208-1	1*65	66.0	27.0	4.2	9.0	12.0	60.0	0.028

Bull Swivel Snap Hook

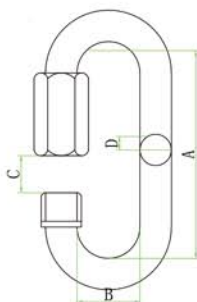
牛头钩



CODE	SIZE	A	B	C	D	E	WLL(KG)	WT(KG)
ZB6209-1	1*100	100.0	17.5	15.5	27.0	7.0	300.0	0.152

Quick Link

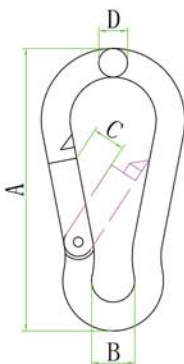
快速连接环



CODE	SIZE	A	B	C	D	WLL(kg)	WT(KG)
ZB6210-3.5	3.5MM	29.0	10.0	5.0	3.5	80.0	0.008
ZB6210-4	4MM	32.0	11.5	5.5	3.8	250.0	0.013
ZB6210-5	5MM	39.0	13.0	6.5	4.8	325.0	0.021
ZB6210-6	6MM	46.0	14.5	7.5	5.8	400.0	0.033
ZB6210-7	7MM	51.0	16.5	8.5	6.8	600.0	0.054
ZB6210-8	8MM	59.0	17.5	10.5	7.8	700.0	0.076
ZB6210-9	9MM	64.0	18.0	11.5	8.8	1000.0	0.104
ZB6210-10	10MM	70.0	20.5	12.5	9.8	1150.0	0.136
ZB6210-11	11MM	78.0	23.0	14.0	10.8	1200.0	0.216
ZB6210-12	12MM	83.0	24.0	14.5	11.8	1250.0	0.242
ZB6210-14	14MM	97.0	26.5	17.0	13.8	1400.0	0.352

Carabiner Hook

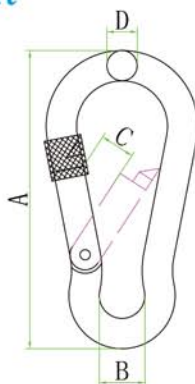
登山扣



CODE	SIZE	A	B	C	D	WLL(kg)	WT(KG)
ZB6211-4	4X40	40.0	6.5	6.0	3.8	40.0	0.008
ZB6211-5	5X50	50.0	8.0	7.0	4.8	50.0	0.016
ZB6211-6	6X60	60.0	9.0	8.0	5.8	70.0	0.026
ZB6211-7	7X70	70.0	10.5	8.0	6.8	100.0	0.042
ZB6211-8	8X80	80.0	12.0	9.0	7.8	125.0	0.065
ZB6211-9	9X90	90.0	13.0	10.0	8.8	140.0	0.093
ZB6211-10	10X100	100.0	15.0	12.0	9.8	200.0	0.125
ZB6211-11	11X120	120.0	18.0	16.0	10.8	250.0	0.178
ZB6211-12	12X140	140.0	20.0	19.0	11.8	300.0	0.248
ZB6211-13	13X160	160.0	22.0	25.0	12.8	350.0	0.352
ZB6211-14	14X180	180.0	22.0	35.0	13.8	450.0	0.505

Carabiner Hook With Lock Nut

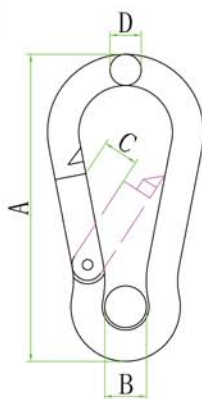
带螺母登山扣



CODE	SIZE	A	B	C	D	WLL (kg)	WT (KG)
ZB6212-4	4X40	40.0	6.5	6.0	3.8	40.0	0.009
ZB6212-5	5X50	50.0	8.0	7.0	4.8	50.0	0.018
ZB6212-6	6X60	60.0	9.0	8.0	5.8	70.0	0.029
ZB6212-7	7X70	70.0	10.5	8.0	6.8	100.0	0.047
ZB6212-8	8X80	80.0	12.0	9.0	7.8	125.0	0.068
ZB6212-9	9X90	90.0	13.0	10.0	8.8	140.0	0.096
ZB6212-10	10X100	100.0	15.0	12.0	9.8	200.0	0.135
ZB6212-11	11X120	120.0	18.0	16.0	10.8	250.0	0.189
ZB6212-12	12X140	140.0	20.0	19.0	11.8	300.0	0.269
ZB6212-13	13X160	160.0	22.0	25.0	12.8	350.0	0.365
ZB6212-14	14X180	180.0	22.0	35.0	13.8	450.0	0.515

Carabiner Hook With Eyelet

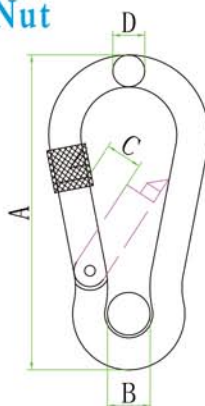
带圈登山扣



CODE	SIZE	A	B	C	D	WLL (kg)	WT (KG)
ZB6213-4	4X40	40.0	5.0	6.0	3.8	40.0	0.009
ZB6213-5	5X50	50.0	6.5	7.0	4.8	50.0	0.018
ZB6213-6	6X60	60.0	7.5	8.0	5.8	70.0	0.029
ZB6213-7	7X70	70.0	9.0	8.0	6.8	100.0	0.047
ZB6213-8	8X80	80.0	10.0	9.0	7.8	125.0	0.068
ZB6213-9	9X90	90.0	11.0	10.0	8.8	140.0	0.096
ZB6213-10	10X100	100.0	13.0	12.0	9.8	200.0	0.135
ZB6213-11	11X120	120.0	15.0	16.0	10.8	250.0	0.189
ZB6213-12	12X140	140.0	18.0	19.0	11.8	300.0	0.269
ZB6213-13	13X160	160.0	20.0	25.0	12.8	350.0	0.365
ZB6213-14	14X180	180.0	22.0	35.0	13.8	450.0	0.515

Carabiner Hook With Eyelet and Nut

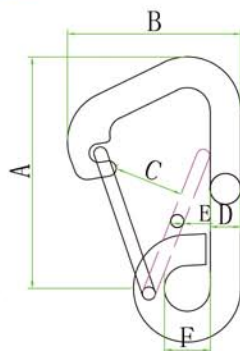
带圈带螺母登山扣



CODE	SIZE	A	B	C	D	WLL (kg)	WT (KG)
ZB6214-5	5X50	50.0	6.5	7.0	4.8	50.0	0.019
ZB6214-6	6X60	60.0	7.5	8.0	5.8	70.0	0.032
ZB6214-7	7X70	70.0	9.0	8.0	6.8	100.0	0.049
ZB6214-8	8X80	80.0	10.0	9.0	7.8	125.0	0.072
ZB6214-9	9X90	90.0	11.0	10.0	8.8	140.0	0.099
ZB6214-10	10X100	100.0	13.0	12.0	9.8	200.0	0.142
ZB6214-11	11X120	120.0	15.0	16.0	10.8	250.0	0.198
ZB6214-12	12X140	140.0	18.0	19.0	11.8	300.0	0.272
ZB6214-13	13X160	160.0	20.0	25.0	12.8	350.0	0.381

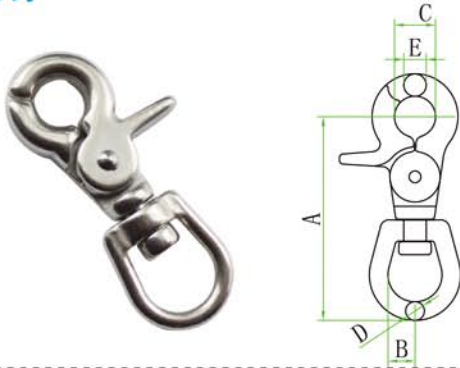
Simple Spring Snap Hook

简易弹簧钩



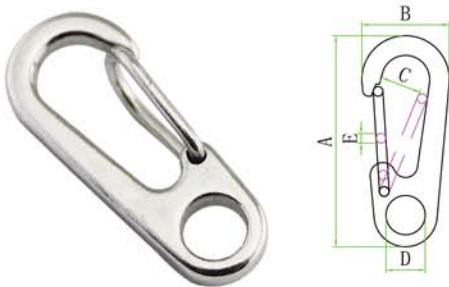
CODE	SIZE	A	B	C	D	E	F	WLL (kg)	WT (KG)
ZB6215-6	6X60	60.0	32.0	14.0	5.8	2.6	9.0	70.0	0.028
ZB6215-8	8X80	80.0	45.0	18.0	7.8	3.0	12.0	125.0	0.068
ZB6215-10	10X100	100.0	57.0	23.0	9.8	4.0	15.0	200.0	0.137
ZB6215-12	12X120	120.0	68.0	28.0	11.80	4.4	18.0	300.0	0.229
ZB6215-14	14X140	140.0	79.0	32.0	13.8	4.4	21.0	450.0	0.357
ZB6215-16	16X160	160.0	91.0	37.0	15.8	5.0	24.0	800.0	0.532
ZB6215-18	18X180	180.0	102.0	47.0	17.8	5.0	27.0	1000.0	0.742
ZB6215-20	20X200	200.0	120.0	59.0	19.8	5.0	29.0	1200.0	1.011

Trigger Swivel Snap Hook
剪刀钩



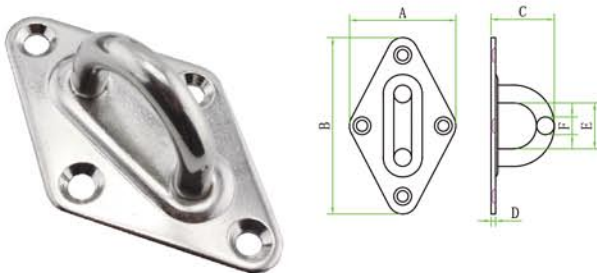
CODE	SIZE	A	B	C	D	E	WLL(kg)	WT(KG)
ZB6216-12	1/2*65	65.0	15.5	10.5	4.2	7.0	90.0	0.048

Quick Key Snap Hook
快挂钩



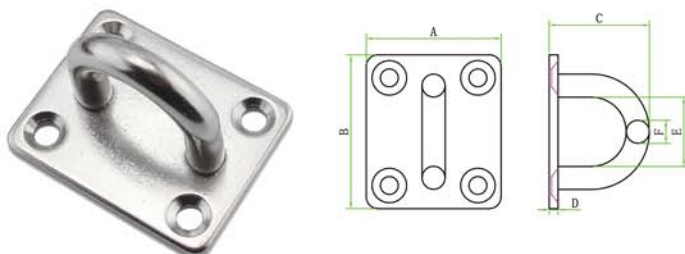
CODE	SIZE	A	B	C	D	E	WT(KG)
ZB6217-35	35MM	35.0	14.5	7.0	6.5	1.6	0.008

Diamond Eye Plate
菱形门扣



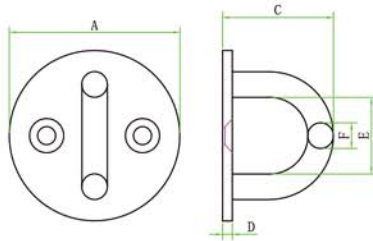
CODE	SIZE	A	B	C	D	E	F	WT(KG)
ZB6301-5	5mm	36.0	60.0	21.0	2.5	14.0	5.0	0.029
ZB6301-6	6mm	40.0	65.0	26.0	2.5	16.0	6.0	0.038
ZB6301-8	8mm	50.0	80.0	32.0	3.0	20.0	8.0	0.069
ZB6301-10	10mm	60.0	100.0	38.0	3.0	26.0	10.0	0.120

Square Eye Plate
方形门扣



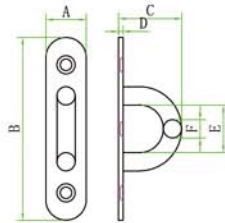
CODE	SIZE	A	B	C	D	E	F	WT(KG)
ZB6302-5	5mm	30.0	35.0	21.0	2.5	14.0	5.0	0.021
ZB6302-6	6mm	35.0	40.0	26.0	2.5	16.0	6.0	0.035
ZB6302-8	8mm	40.0	50.0	32.0	3.0	20.0	8.0	0.068

Round Eye Plate
圆形门扣



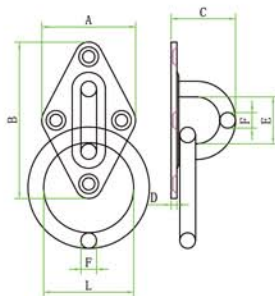
CODE	SIZE	A	C	D	E	F	WT (KG)
ZB6303-5	5mm	33.0	21.0	2.5	14.0	5.0	0.019
ZB6303-6	6mm	40.0	26.0	2.5	16.0	6.0	0.038
ZB6303-8	8mm	50.0	32.0	3.0	20.0	8.0	0.068

Oblong Eye Plate
椭圆形门扣



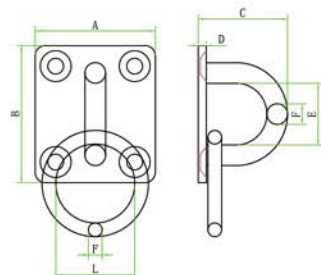
CODE	SIZE	A	B	C	D	E	F	WT (KG)
ZB6304-5	5mm	15.0	45.0	21.0	2.5	14.0	5.0	0.017
ZB6304-6	6mm	20.0	60.0	26.0	2.5	16.0	6.0	0.033
ZB6304-8	8mm	25.0	80.0	32.0	3.0	20.0	8.0	0.064

Diamond Eye Plate With Ring
带圆环菱形门扣



CODE	SIZE	A	B	C	D	E	F	L	WT (KG)
ZB6305-5	5mm	36.0	60.0	21.0	2.5	14.0	5.0	30.0	0.046
ZB6305-6	6mm	40.0	65.0	26.0	2.5	16.0	6.0	35.0	0.067
ZB6305-8	8mm	50.0	80.0	32.0	3.0	20.0	8.0	45.0	0.135
ZB6305-10	10mm	60.0	100.0	38.0	3.0	26.0	10.0	50.0	0.236

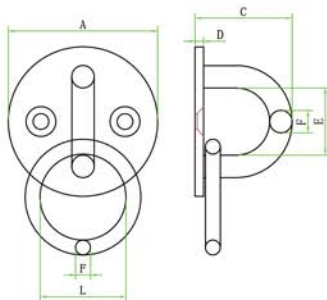
Square Eye Plate With Ring
带圆环方形门扣



CODE	SIZE	A	B	C	D	E	F	L	WT (KG)
ZB6306-5	5mm	30.0	35.0	21.0	2.5	14.0	5.0	30.0	0.038
ZB6306-6	6mm	35.0	40.0	26.0	2.5	16.0	6.0	35.0	0.064
ZB6306-8	8mm	40.0	50.0	32.0	3.0	20.0	8.0	45.0	0.134

Round Eye Plate With Ring

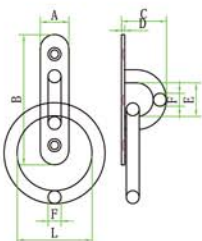
带圆环圆形门扣



CODE	SIZE	A	C	D	E	F	L	WT (KG)
ZB6307-5	5mm	33.0	21.0	2.5	14.0	5.0	30.0	0.036
ZB6307-6	6mm	40.0	26.0	2.5	16.0	6.0	35.0	0.068
ZB6307-8	8mm	50.0	32.0	3.0	20.0	8.0	45.0	0.135

Oblong Eye Plate With Ring

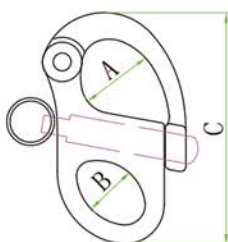
带圆环椭圆形门扣



CODE	SIZE	A	B	C	D	E	F	L	WT (KG)
ZB6308-5	5mm	15.0	45.0	21.0	2.5	14.0	5.0	30.0	0.034
ZB6308-6	6mm	20.0	60.0	26.0	2.5	16.0	6.0	35.0	0.062
ZB6308-8	8mm	25.0	80.0	32.0	3.0	20.0	8.0	45.0	0.131

Fixed Eye Snap Shackle

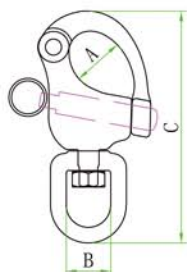
固定弹簧卸扣



SIZE	SIZE	A	B	C	WLL (kg)	WT (kg)
ZB6401-35	35MM	12.5	7.5	35.0	100.0	0.013
ZB6401-52	52MM	18.0	11.0	52.0	450.0	0.043
ZB6401-69	69MM	20.0	15.0	70.0	650.0	0.082
ZB6401-96	96MM	27.0	18.5	96.0	950.0	0.212

Swivel Eye Snap Shackle

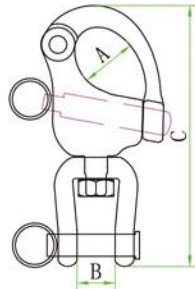
圈式旋转弹簧卸扣



SIZE	SIZE	A	B	C	WLL (kg)	WT (kg)
ZB6402-70	70MM	18.0	12.5	71.0	450.0	0.061
ZB6402-87	87MM	20.0	16.5	89.0	650.0	0.115
ZB6402-128	128MM	27.0	24.0	128.0	950.0	0.291

Swivel Jaw Snap Shackle

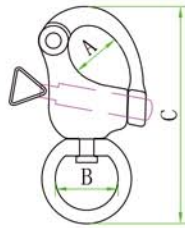
叉式旋转弹簧卸扣



SIZE	SIZE	A	B	C	WLL(kg)	WT(kg)
ZB6403-70	70MM	18.0	10.0	70.0	450.0	0.067
ZB6403-87	87MM	20.0	12.5	91.0	650.0	0.138
ZB6403-128	128MM	27.0	21.0	128.0	950.0	0.342

Round Swivel Snap Shackle

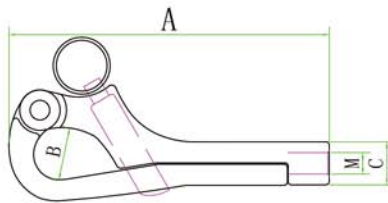
圆环旋转弹簧卸扣



SIZE	SIZE	A	B	C	WLL(kg)	WT(kg)
ZB6404-20	20*65	14.0	21.0	65.0	270.0	0.041
ZB6404-25	25*76	15.0	26.0	76.0	340.0	0.071

Pelican Shackle

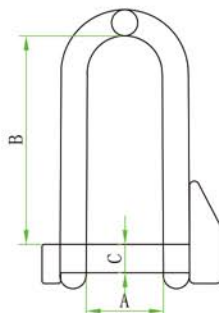
枪式弹簧卸扣



CODE	SIZE	A	B	C	WT(KG)
ZB6405-6	M6	77.5	14.0	11.0	0.068
ZB6405-8	M8	104.0	16.0	13.5	0.131
ZB6405-10	M10	126.0	19.0	15.5	0.216

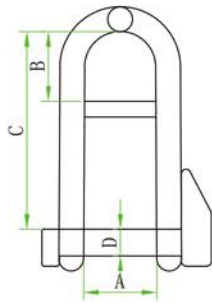
Key Pin Shackle

钥匙销卸扣



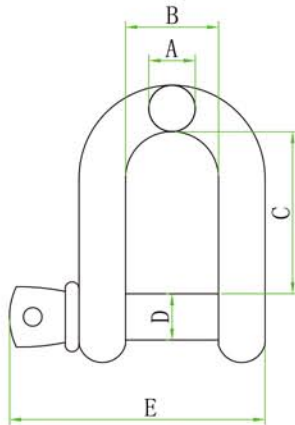
CODE	SIZE	A	B	C	WLL(kg)	WT(KG)
ZB6406-5	5mm	13.0	40.0	5.0	100.0	0.029
ZB6406-6	6mm	15.0	42.0	6.0	150.0	0.051
ZB6406-8	8mm	21.5	61.0	8.0	250.0	0.111

Key Pin Shackle With Bar
带档钥匙销卸扣



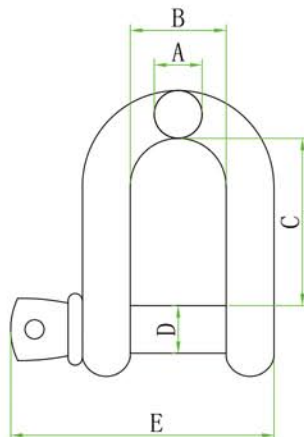
CODE	SIZE	A	B	C	D	WLL (kg)	WT (KG)
ZB6407-5	5mm	13.0	12.5	40.0	5.0	100.0	0.035
ZB6407-6	6mm	15.0	15.0	42.0	6.0	150.0	0.062
ZB6407-8	8mm	21.5	26.0	61.0	8.0	250.0	0.122

JIS Type D Shackle
日式D形卸扣



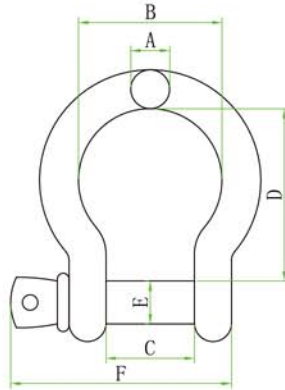
CODE	SIZE	A	B	C	D	E	WLL (kg)	WT (KG)
ZB6408-4	4mm	4.0	8.0	14.0	4.0	24.0	60.0	0.008
ZB6408-5	5mm	5.0	10.0	17.5	5.0	30.0	80.0	0.016
ZB6408-6	6mm	6.0	12.0	21.0	6.0	35.0	100.0	0.025
ZB6408-8	8mm	8.0	16.0	28.0	8.0	43.5	200.0	0.054
ZB6408-10	10mm	10.0	20.0	35.0	10.0	56.0	320.0	0.109
ZB6408-12	12mm	12.0	24.0	45.5	12.0	66.0	520.0	0.185
ZB6408-14	14mm	14.0	28.0	49.0	14.0	75.5	700.0	0.290
ZB6408-16	16mm	16.0	32.0	56.0	16.0	88.0	800.0	0.433
ZB6408-18	18mm	18.0	36.0	63.0	18.0	99.5	950.0	0.638
ZB6408-20	20mm	20.0	40.0	70.0	20.0	109.0	1100.0	0.850
ZB6408-22	22mm	22.0	44.0	77.0	22.0	120.0	1500.0	1.160
ZB6408-24	24mm	24.0	50.0	84.0	24.0	135.0	2100.0	1.537
ZB6408-28	28mm	28.0	56.0	98.0	28.0	148.0	3000.0	2.360

EU Type D Shackle
欧式D形卸扣



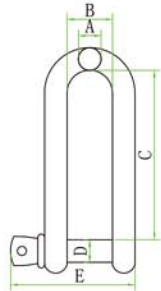
CODE	SIZE	A	B	C	D	E	WLL (kg)	WT (KG)
ZB6409-4	4mm	4.0	8.0	16.0	4.0	24.0	60.0	0.008
ZB6409-5	5mm	5.0	10.0	20.0	5.0	30.0	80.0	0.016
ZB6409-6	6mm	6.0	12.0	24.0	6.0	35.0	100.0	0.025
ZB6409-8	8mm	8.0	16.0	32.0	8.0	43.5	200.0	0.059
ZB6409-10	10mm	10.0	20.0	40.0	10.0	56.0	320.0	0.115
ZB6409-12	12mm	12.0	24.0	48.0	12.0	66.0	520.0	0.198
ZB6409-14	14mm	14.0	28.0	56.0	14.0	75.5	700.0	0.306
ZB6409-16	16mm	16.0	32.0	64.0	16.0	88.0	800.0	0.461
ZB6409-18	18mm	18.0	36.0	72.0	18.0	99.5	950.0	0.672
ZB6409-20	20mm	20.0	40.0	80.0	20.0	109.0	1100.0	0.875
ZB6409-22	22mm	22.0	44.0	90.0	22.0	120.0	1500.0	1.257
ZB6409-24	24mm	24.0	50.0	96.0	24.0	135.0	2100.0	1.655
ZB6409-28	28mm	28.0	56.0	112.0	28.0	148.0	3000.0	2.496

EU Type D Shackle
欧式D形卸扣



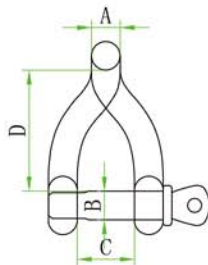
CODE	SIZE	A	B	C	D	E	F	WLL (kg)	WT (KG)
ZB6410-4	4mm	4.0	12.0	8.0	16.0	4.0	24.0	60.0	0.008
ZB6410-5	5mm	5.0	17.0	10.0	20.0	5.0	30.0	80.0	0.016
ZB6410-6	6mm	6.0	20.0	12.0	24.0	6.0	35.0	100.0	0.026
ZB6410-8	8mm	8.0	27.0	16.0	32.0	8.0	44.5	200.0	0.061
ZB6410-10	10mm	10.0	33.0	20.0	40.0	10.0	56.0	320.0	0.117
ZB6410-12	12mm	12.0	39.0	24.0	48.0	12.0	66.0	520.0	0.208
ZB6410-14	14mm	14.0	46.5	28.0	56.0	14.0	75.5	700.0	0.317
ZB6410-16	16mm	16.0	52.5	32.0	64.0	16.0	85.5	800.0	0.480
ZB6410-18	18mm	18.0	62.0	36.0	72.0	18.0	97.0	950.0	0.696
ZB6410-20	20mm	20.0	65.0	40.0	80.0	20.0	110.0	1100.0	0.933
ZB6410-22	22mm	22.0	76.0	44.0	90.0	22.0	119.0	1500.0	1.223
ZB6410-24	24mm	24.0	79.5	50.0	96.0	24.0	136.0	2100.0	1.693
ZB6410-28	28mm	28.0	89.0	56.0	112.0	28.0	148.0	3000.0	2.660

Long D Shackle
长D卸扣



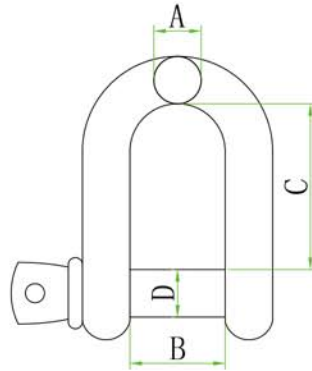
CODE	SIZE	A	B	C	D	E	WLL (kg)	WT (KG)
ZB6411-4	4mm	4.0	8.0	30.0	4.0	24.0	70.0	0.015
ZB6411-5	5mm	5.0	10.0	37.5	5.0	30.0	140.0	0.018
ZB6411-6	6mm	6.0	12.0	45.0	6.0	35.0	230.0	0.031
ZB6411-8	8mm	8.0	16.0	60.0	8.0	43.5	340.0	0.077
ZB6411-10	10mm	10.0	20.0	75.0	10.0	56.0	700.0	0.157
ZB6411-12	12mm	12.0	24.0	90.0	12.0	66.0	1200.0	0.251

Twisted Shackle
扭体卸扣



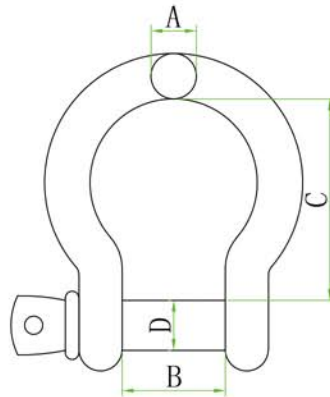
CODE	SIZE	A	B	C	D	WLL (kg)	WT (KG)
ZB6412-4	4mm	4.0	4.0	8.0	22.0	90.0	0.015
ZB6412-5	5mm	5.0	5.0	10.0	27.5	120.0	0.018
ZB6412-6	6mm	6.0	6.0	12.0	33.0	175.0	0.031
ZB6412-8	8mm	8.0	8.0	16.0	44.0	300.0	0.077
ZB6412-10	10mm	10.0	10.0	20.0	55.0	580.0	0.157
ZB6412-12	12mm	12.0	12.0	24.0	66.0	700.0	0.251

G210 US D Shackle
G210美式直型卸扣



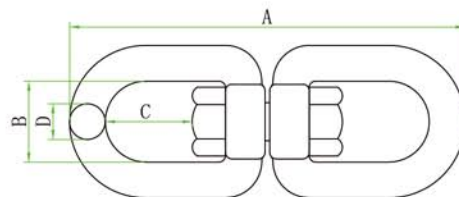
CODE	SIZE	A	B	C	D	WLL (kg)	WT (kg)
ZB6413-5	3/16"*6	4.8	9.5	19.0	6.0	350.0	0.018
ZB6413-6	1/4"*8	6.2	11.5	22.0	7.8	500.0	0.036
ZB6413-8	5/16"*10	8.0	13.0	26.0	9.0	750.0	0.070
ZB6413-10	3/8"*12	9.3	16.5	31.5	11.0	1000.0	0.133
ZB6413-11	7/16"*14	11.0	19.0	36.5	12.5	1500.0	0.174
ZB6413-12	1/2"*16	12.5	20.0	41.0	15.5	2000.0	0.285
ZB6413-16	5/8"*20	15.8	26.5	50.5	19.0	3250.0	0.570
ZB6413-20	3/4"*22	19.0	31.5	60.0	22.0	4750.0	0.870
ZB6413-22	7/8"*24	22.0	36.5	71.0	25.0	6500.0	1.240
ZB6413-25	1"*28	25.2	42.6	81.0	28.0	8500.0	1.900

G209 US Bow Shackle
G209美式弓形卸扣



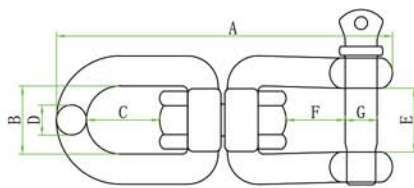
CODE	SIZE	A	B	C	D	WLL (kg)	WT (kg)
ZB6414-5	3/16"*6	4.8	9.5	22.0	6.0	350.0	0.020
ZB6414-6	1/4"*8	6.2	11.5	28.5	7.8	500.0	0.038
ZB6414-8	5/16"*10	8.0	13.0	30.5	9.0	750.0	0.073
ZB6414-10	3/8"*12	9.3	16.5	36.5	11.0	1000.0	0.138
ZB6414-11	7/16"*14	11.0	19.0	42.5	12.5	1500.0	0.190
ZB6414-12	1/2"*16	12.5	20.0	47.5	15.5	2000.0	0.310
ZB6414-16	5/8"*20	15.8	26.5	60.0	19.0	3250.0	0.620
ZB6414-20	3/4"*22	19.0	31.5	71.0	22.0	4750.0	0.970
ZB6414-22	7/8"*24	22.0	36.5	84.0	25.0	6500.0	1.370
ZB6414-25	1"*28	25.2	42.6	95.0	28.0	8500.0	2.080

Eye&Eye End Swivel
圈圈旋转环



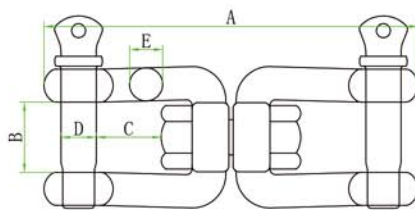
CODE	SIZE	A	B	C	D	WLL (kg)	WT (KG)
ZB6501-4	4mm	48.0	11.8	9.8	3.8	80.0	0.020
ZB6501-5	5mm	60.0	13.8	14.5	4.8	100.0	0.034
ZB6501-6	6mm	68.0	15.8	16.8	5.5	150.0	0.048
ZB6501-8	8mm	88.0	20.0	21.0	7.4	300.0	0.111
ZB6501-10	10mm	107.0	23.0	26.0	9.3	500.0	0.202
ZB6501-12	12mm	122.0	25.5	27.0	11.2	1000.0	0.325
ZB6501-14	14mm	145.0	31.8	33.2	13.0	1200.0	0.518
ZB6501-16	16mm	175.0	38.0	44.0	15.0	1500.0	0.810
ZB6501-20	20mm	203.0	44.0	47.8	18.8	2100.0	1.480

Eye&Jaw End Swivel
圈叉旋转环



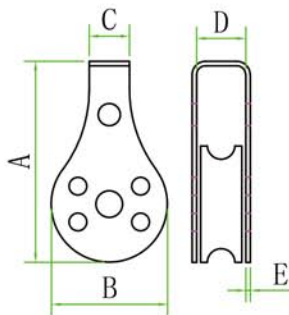
CODE	SIZE	A	B	C	D	E	F	G	WLL(kg)	WT(KG)
ZB6502-4	4mm	50.0	11.8	9.8	3.8	8.0	10.5	3.8	80.0	0.022
ZB6502-5	5mm	60.0	13.8	14.5	4.8	10.0	11.0	4.8	100.0	0.038
ZB6502-6	6mm	66.5	15.8	16.8	5.5	12.0	11.5	5.8	150.0	0.066
ZB6503-8	8mm	88.0	20.0	21.0	7.4	16.0	17.0	7.8	300.0	0.129
ZB6502-10	10mm	106.0	23.0	26.0	9.3	20.0	19.0	9.8	500.0	0.238
ZB6502-12	12mm	124.0	25.5	27.0	11.2	24.0	22.0	11.8	1000.0	0.372
ZB6502-14	14mm	145.0	31.8	33.2	13.0	28.0	26.0	13.8	1200.0	0.600
ZB6502-16	16mm	179.0	38.0	44.0	15.0	32.0	38.0	15.8	1500.0	0.940
ZB6502-20	20mm	203.0	44.0	47.8	18.8	40.0	38.0	19.8	2100.0	1.710

Jaw&Jaw End Swivel
叉叉旋转环



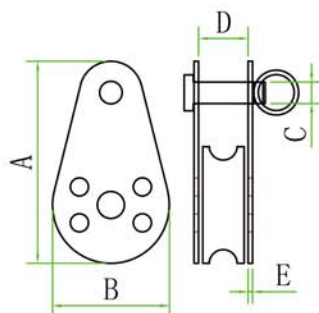
CODE	SIZE	A	B	C	D	E	WLL(kg)	WT(KG)
ZB6503-4	4mm	51.0	8.0	10.5	3.8	3.8	80.0	0.025
ZB6503-5	5mm	60.0	10.0	11.0	4.8	4.8	100.0	0.041
ZB6503-6	6mm	65.5	12.0	11.5	5.8	5.5	150.0	0.062
ZB6503-8	8mm	88.5	16.0	17.0	7.8	7.4	300.0	0.144
ZB6503-10	10mm	106.0	20.0	19.0	9.8	9.3	500.0	0.281
ZB6503-12	12mm	124.0	24.0	22.0	11.8	11.2	1000.0	0.438
ZB6503-14	14mm	143.0	28.0	26.0	13.8	13.0	1200.0	0.671
ZB6503-16	16mm	182.0	32.0	38.0	15.8	15.0	1500.0	1.071
ZB6503-20	20mm	205.0	40.0	38.0	19.8	18.8	2100.0	1.828

Pulley
尼龙滑轮



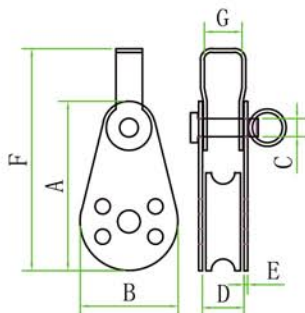
CODE	SIZE	A	B	C	D	E	WT(KG)
ZB6605-25	25MM	45.0	26.0	9.5	11.0	1.0	0.018

Pulley
尼龙滑轮



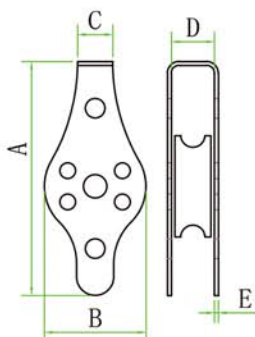
CODE	SIZE	A	B	C	D	E	WT(KG)
ZB6606-25	25MM	45.0	26.0	5.0	11.0	1.0	0.023

Pulley
尼龙滑轮



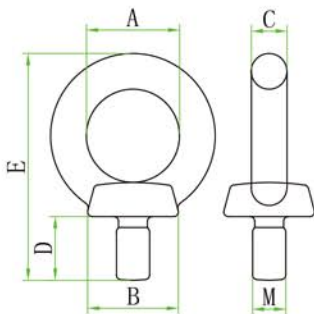
CODE	SIZE	A	B	C	D	E	F	G	WT(KG)
ZB6607-25	25MM	45.0	26.0	5.0	11.0	1.0	59.0	10.0	0.026

Pulley
尼龙滑轮



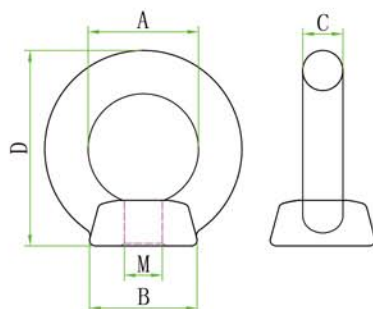
CODE	SIZE	A	B	C	D	E	WT(KG)
ZB6608-25	25MM	60.0	26.0	9.0	11.0	1.0	0.024

DIN580 Eye Screw
DIN580吊环螺丝



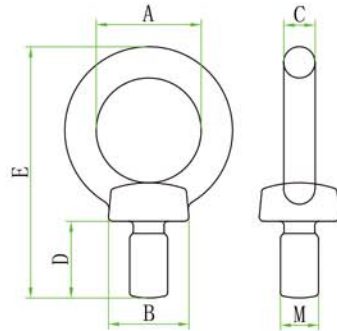
CODE	SIZE	A	B	C	D	E	WLL(kg)	WT(KG)
ZB6701-6	M6	16.0	16.0	6.0	11.0	39.0	70.0	0.020
ZB6701-8	M8	19.5	19.5	7.6	14.0	49.0	140.0	0.045
ZB6701-10	M10	24.5	24.5	9.4	17.0	59.5	230.0	0.086
ZB6701-12	M12	29.0	29.0	11.5	22.0	73.0	340.0	0.148
ZB6701-16	M16	35.0	34.5	13.6	26.5	86.5	700.0	0.255
ZB6701-20	M20	40.0	38.5	15.3	29.5	96.5	1200.0	0.378
ZB6701-24	M24	50.0	50.0	20.0	37.5	127.0	1800.0	0.780

DIN582 Eye Nut
DIN582吊环螺母



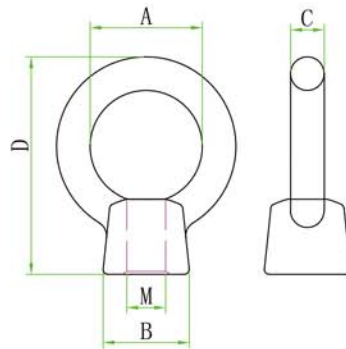
CODE	SIZE	A	B	C	D	WLL(kg)	WT(KG)
ZB6702-6	M6	16.0	16.0	6.0	28.0	70.0	0.020
ZB6702-8	M8	20.0	20.0	8.0	35.0	140.0	0.043
ZB6702-10	M10	24.5	24.5	9.4	42.5	230.0	0.076
ZB6702-12	M12	29.0	29.0	11.5	51.5	340.0	0.130
ZB6702-16	M16	35.0	35.0	13.6	61.5	700.0	0.210
ZB6702-20	M20	40.0	39.0	15.3	70.5	1200.0	0.310
ZB6702-24	M24	50.0	49.0	19.3	88.0	1800.0	0.700

JIS1168 Eye Screw
JIS1168日式吊环螺丝



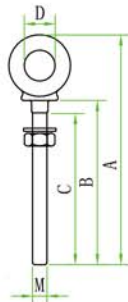
CODE	SIZE	A	B	C	D	E	WLL(kg)	WT(KG)
ZB6703-3	M3	7.0	7.0	3.0	9.0	23.0	20.0	0.003
ZB6703-4	M4	10.0	10.0	4.0	11.0	29.0	30.0	0.007
ZB6703-5	M5	13.0	11.5	5.0	11.5	35.0	40.0	0.013
ZB6703-6	M6	16.5	12.0	5.0	14.0	41.0	50.0	0.015
ZB6703-8	M8	20.0	15.0	5.7	15.0	47.0	80.0	0.026
ZB6703-10	M10	25.0	19.0	7.0	18.0	58.0	150.0	0.052
ZB6703-12	M12	30.0	22.5	9.0	21.0	69.0	220.0	0.094
ZB6703-16	M16	36.0	28.0	11.0	27.5	87.5	450.0	0.179
ZB6703-20	M20	40.0	32.0	15.0	31.0	101.0	630.0	0.334
ZB6703-24	M24	50.0	41.0	18.0	36.0	122.0	950.0	0.638

JIS1169 Eye Nut
JIS1169日式吊环螺母



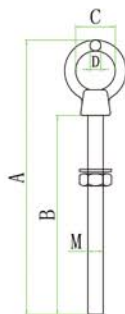
CODE	SIZE	A	B	C	D	WLL(kg)	WT(KG)
ZB6704-6	M6	16.5	12.0	5.0	31.0	50.0	0.015
ZB6704-8	M8	20.0	15.0	5.7	39.0	80.0	0.025
ZB6704-10	M10	25.0	19.0	7.0	47.5	150.0	0.050
ZB6704-12	M12	30.0	22.5	9.0	57.5	220.0	0.093
ZB6704-16	M16	36.0	28.0	11.0	69.0	450.0	0.164
ZB6704-20	M20	40.0	32.0	15.0	79.0	630.0	0.291
ZB6704-24	M24	50.0	41.0	18.0	102.0	950.0	0.573

HX Long Eye Bolt
HX长吊环螺栓



CODE	SIZE	A	B	C	D	WLL(kg)	WT(KG)
ZB6705-6	M6X60	85.0	60.0	55.0	13.0	80.0	0.025
ZB6705-8	M8X80	111.0	80.0	75.0	15.0	150.0	0.058
ZB6705-10	M10X100	137.0	100.0	85.0	17.0	250.0	0.120

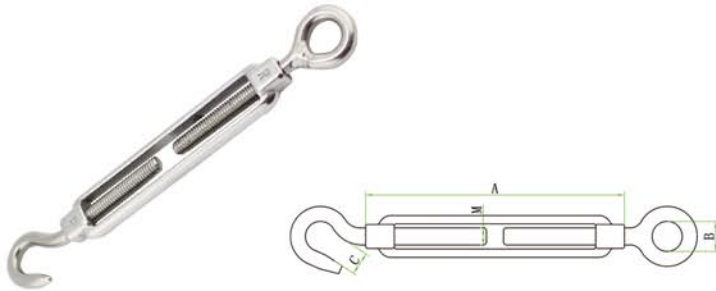
Eye Bolt
1169头焊接吊环螺栓



CODE	SIZE	A	B	C	D	M	WT(KG)
ZB6709-0660	M6*60	91.0	60.0	16.5	5.0	M6	0.030
ZB6709-0880	M8*80	138.5	101.0	20.0	5.5	M8	0.064
ZB6709-10100	M10*100	146.5	101.0	25.0	7.0	M10	0.116

European Open Body Turnbuckle(Hook&Eye)

欧式开体花兰 (钩圈型)



CODE	SIZE	A	B	C	WLL (kg)	WT (KG)
ZB6801-4	M4	58.0	8.0	7.0	25.0	0.022
ZB6801-5	M5	70.0	9.0	8.0	40.0	0.035
ZB6801-6	M6	90.0	10.0	9.0	100.0	0.063
ZB6801-8	M8	120.0	14.0	13.0	200.0	0.135
ZB6801-10	M10	150.0	16.0	15.0	300.0	0.242
ZB6801-12	M12	200.0	18.0	15.0	500.0	0.467
ZB6801-16	M16	250.0	21.0	20.0	800.0	0.984
ZB6801-20	M20	300.0	25.0	22.0	1200.0	1.989

European Open Body Turnbuckle (Hook&Hook)

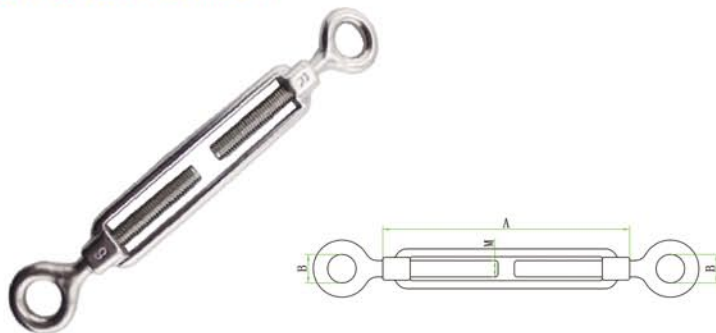
欧式开体花兰 (钩钩型)



CODE	SIZE	A	C	WLL (kg)	WT (KG)
ZB6802-4	M4	58.0	7.0	25.0	0.022
ZB6802-5	M5	70.0	8.0	40.0	0.035
ZB6802-6	M6	90.0	9.0	100.0	0.063
ZB6802-8	M8	120.0	13.0	200.0	0.135
ZB6802-10	M10	150.0	15.0	300.0	0.242
ZB6802-12	M12	200.0	15.0	500.0	0.467
ZB6802-16	M16	250.0	20.0	800.0	0.984
ZB6802-20	M20	300.0	22.0	1200.0	1.989

European Open Body Turnbuckle(Eye&Eye)

欧式开体花兰 (圈圈型)



CODE	SIZE	A	B	WLL (kg)	WT (KG)
ZB6803-4	M4	58.0	8.0	25.0	0.022
ZB6803-5	M5	70.0	9.0	40.0	0.035
ZB6803-6	M6	90.0	10.0	100.0	0.063
ZB6803-8	M8	120.0	14.0	200.0	0.135
ZB6803-10	M10	150.0	16.0	300.0	0.242
ZB6803-12	M12	200.0	18.0	500.0	0.467
ZB6803-16	M16	250.0	21.0	800.0	0.984
ZB6803-20	M20	300.0	25.0	1200.0	1.989

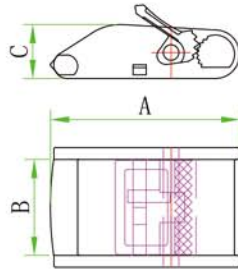
European Type Closed Body Turnbuckle (Jaw&Jaw)

欧式封闭花兰 (叉叉型)



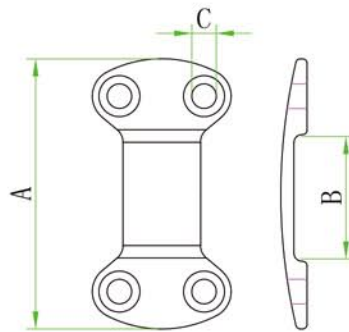
CODE	SIZE	A	B	C	D	WLL (kg)	WT (KG)
ZB6804-5	M5	80.0	7.5	5.0	10.0	250.0	0.052
ZB6804-6	M6	93.0	8.0	6.0	10.0	350.0	0.083
ZB6804-8	M8	104.0	11.0	8.0	11.5	700.0	0.154
ZB6804-10	M10	120.0	12.0	9.0	14.0	1000.0	0.279
ZB6804-12	M12	150.0	15.0	12.0	21.0	1500.0	0.475
ZB6804-14	M14	160.0	15.0	14.0	21.0	1600.0	0.633
ZB6804-16	M16	170.0	17.5	16.0	26.0	2300.0	1.090
ZB6804-20	M20	213.0	19.5	19.0	29.0	3000.0	1.784

Cam Bukle
织带扣



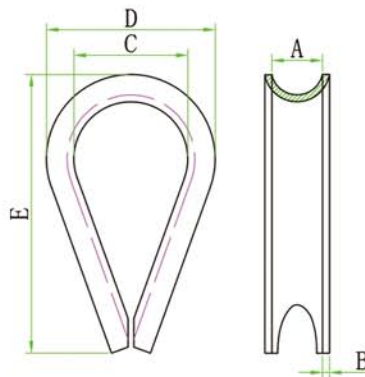
CODE	SIZE	A	B	C	WT (KG)
ZB7001-25	25MM	50.5	26.0	14.3	0.068
ZB7001-38	38MM	50.5	38.5	14.3	0.089

Cam Bukle Plate
织带压板



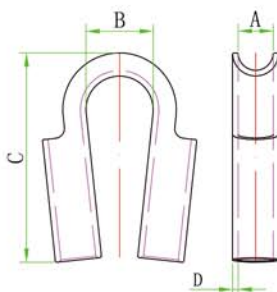
CODE	SIZE	A	B	C	WT (KG)
ZB7002-25	25MM	65.8	25.5	5.8	0.045

European Thimble
欧式套环



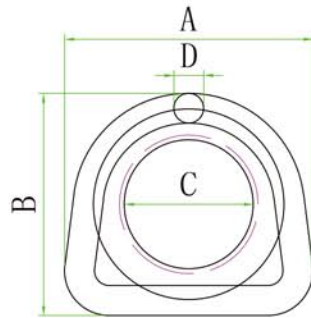
CODE	SIZE	A	B	C	D	E	WT (KG)
ZB7201-2	2MM	2.0	0.8	7.0	12.0	17.0	0.001
ZB7201-2.5	2.5MM	2.5	0.8	8.0	13.0	20.0	0.002
ZB7201-3	3MM	3.0	0.8	10.0	15.0	22.0	0.002
ZB7201-4	4MM	4.0	1.0	11.0	17.0	24.0	0.004
ZB7201-5	5MM	5.0	1.0	13.0	20.0	30.0	0.005
ZB7201-6	6MM	6.0	1.0	15.0	23.0	35.0	0.007
ZB7201-7	7MM	7.0	1.2	15.0	25.0	40.0	0.011
ZB7201-8	8MM	8.0	1.2	18.0	28.0	44.0	0.017
ZB7201-10	10MM	10.0	1.5	23.0	35.0	57.0	0.038
ZB7201-12	12MM	12.0	2.0	27.0	40.0	65.0	0.048
ZB7201-14	14MM	14.0	2.0	34.0	50.0	72.0	0.068
ZB7201-16	16MM	16.0	2.0	38.0	58.0	76.0	0.083
ZB7201-18	18MM	18.0	2.0	40.0	62.0	87.0	0.104
ZB7201-20	20MM	20.0	2.0	45.0	71.0	100.0	0.133
ZB7201-22	22MM	22.0	2.0	52.0	80.0	110.0	0.160
ZB7201-24	24MM	24.0	2.0	56.0	90.0	120.0	0.270

Pipe Thimble
管式套环



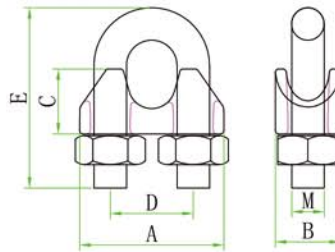
CODE	SIZE	A	B	C	D	WT (KG)
ZB7202-6	6MM	6.5	16.0	43.0	1.5	0.021
ZB7202-8	8MM	8.5	17.0	48.0	1.5	0.027
ZB7202-10	10MM	10.5	20.0	60.0	1.9	0.061
ZB7202-12	12MM	12.5	22.0	70.0	1.9	0.083
ZB7202-15	15MM	15.5	25.0	82.0	2.1	0.138

D Ring Thimble
D形环套环



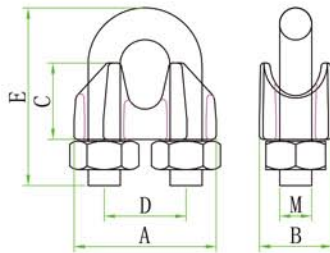
CODE	SIZE	A	B	C	D	WT (kg)
ZB7204-6	6mm	64.5	55.5	34.5	6.0	0.079
ZB7204-8	8mm	66.5	59.5	34.5	8.0	0.106

DIN741 Wire Rope Clip
DIN741卡头



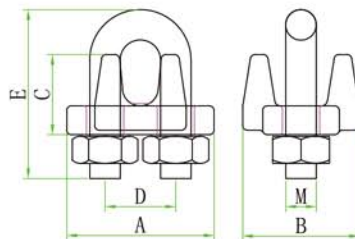
CODE	SIZE	A	B	C	D	E	M	WT (KG)
ZB7301-2	2	17.0	9.5	9.5	7.0	21.0	M3	0.008
ZB7301-3	3	21.0	10.0	10.0	9.0	21.0	M4	0.011
ZB7301-4	4	21.0	10.0	10.0	9.0	23.5	M4	0.012
ZB7301-5	5	23.0	10.0	10.0	10.0	26.0	M5	0.016
ZB7301-6	6	25.0	11.5	11.5	13.0	29.0	M5	0.021
ZB7301-8	8	29.0	13.0	14.0	15.5	33.0	M6	0.034
ZB7301-10	10	33.0	15.0	16.5	19.5	43.0	M8	0.065
ZB7301-12	12	40.0	18.0	18.0	23.0	50.0	M10	0.093
ZB7301-16	16	49.0	24.5	25.0	28.0	65.0	M12	0.220
ZB7301-20	20	53.0	27.5	30.0	32.0	77.0	M12	0.281

US Malleable Clip
美式玛钢型卡头



CODE	SIZE	A	B	C	D	E	M	WT (KG)
ZB7302-2	1/16	17.0	11.0	9.5	7.5	18.5	M3	0.015
ZB7302-3	1/8	21.5	13.0	11.5	11.0	25.0	M5	0.015
ZB7302-5	3/16	26.5	15.0	13.0	14.5	31.0	M6	0.030
ZB7302-6	1/4	31.5	18.0	15.0	17.0	40.0	M8	0.055
ZB7302-8	5/16	33.5	18.0	15.5	18.5	43.0	M8	0.062
ZB7302-10	3/8	40.0	20.0	22.0	22.5	51.0	M10	0.118
ZB7302-12	1/2	49.5	24.5	22.5	26.5	67.0	M12	0.198
ZB7302-16	5/8	56.5	26.0	28.0	32.5	72.0	M12	0.251
ZB7302-20	3/4	59.5	30.5	33.5	34.0	84.0	M14	0.368

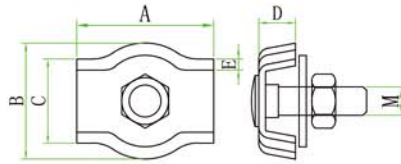
JIS Type Wire Rope Clip
日式卡头



CODE	SIZE	A	B	C	D	E	M	WT (KG)
ZB7303-2	2	15.0	12.0	9.0	8.0	20.0	M3	0.006
ZB7303-3	3	16.0	14.0	12.0	8.0	21.0	M3	0.009
ZB7303-4	4	17.0	15.5	11.5	8.0	22.0	M4	0.018
ZB7303-5	5	23.0	18.5	14.0	12.0	28.5	M5	0.024
ZB7303-6	6	27.0	20.5	17.0	14.5	33.0	M6	0.037
ZB7303-8	8	33.5	27.0	20.0	17.5	40.0	M8	0.083
ZB7303-10	10	43.0	33.5	23.0	21.0	50.0	M10	0.147
ZB7303-12	12	49.5	37.5	26.5	25.5	64.0	M12	0.227
ZB7303-16	16	59.0	45.0	36.5	32.0	70.0	M14	0.407

Simplex Wire Rope Clip

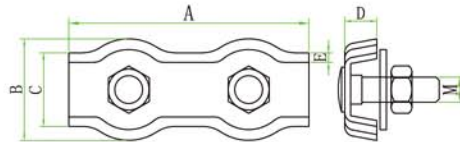
盒式单卡头



CODE	SIZE	A	B	C	D	E	M	WT(KG)
ZB7304-2	2	15.0	11.5	7.0	5.0	1.0	M4	0.004
ZB7304-3	3	17.0	14.5	9.0	6.5	1.2	M4	0.006
ZB7304-4	4	20.0	17.5	12.0	7.0	1.5	M5	0.011
ZB7304-5	5	25.0	19.5	14.0	8.0	1.5	M5	0.014
ZB7304-6	6	30.0	24.5	17.0	9.5	2.0	M6	0.026
ZB7304-8	8	37.5	30.0	22.0	10.0	2.0	M8	0.047
ZB7304-10	10	47.5	38.0	27.5	14.0	2.5	M10	0.100

Duplex Wire Rope Clip

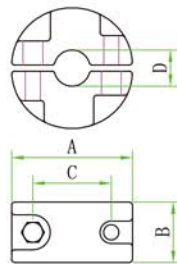
盒式双卡头



CODE	SIZE	A	B	C	D	E	M	WT(KG)
ZB7305-2	2	30.0	11.5	7.0	5.0	1.0	M4	0.008
ZB7305-3	3	34.0	14.5	9.0	6.5	1.2	M4	0.012
ZB7305-4	4	40.0	17.5	12.0	7.0	1.5	M5	0.021
ZB7305-5	5	50.0	19.5	14.0	8.0	1.5	M5	0.027
ZB7305-6	6	60.0	24.5	17.0	9.5	2.0	M6	0.053
ZB7305-8	8	75.0	30.0	22.0	10.0	2.0	M8	0.095
ZB7305-10	10	95.0	38.0	27.5	14.0	2.5	M10	0.197

Wire Rope Braker

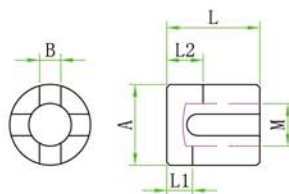
钢丝绳控制器



CODE	SIZE	A	B	C	D	WT(KG)
ZB7306-2	M3*2	15.0	10.0	8.0	2.0	0.010
ZB7306-3	M3*3	15.0	10.0	8.0	3.0	0.010
ZB7306-4	M3*4	15.0	10.0	8.0	4.0	0.010
ZB7306-5	M3*5	20.0	10.0	10.0	5.0	0.017
ZB7306-6	M3*6	20.0	10.0	10.0	6.0	0.017
ZB7306-8	M4*8	23.0	10.0	12.0	8.0	0.026

Cross Wire Rope Clip

十字槽卡头



CODE	SIZE	L	L1	L2	A	B	M	WT(KG)
ZB7307-3	M10*3	19.0	5.0	8.0	17.0	3.2	M10	0.024
ZB7307-4	M12*4	21.0	5.0	8.0	20.0	4.2	M12	0.037
ZB7307-5	M12*5	23.0	5.0	10.0	20.0	5.2	M12	0.038
ZB7307-6	M12*6	25.0	5.0	10.0	20.0	6.2	M12	0.041
ZB7307-8	M16*8	35.0	6.0	14.0	24.0	8.2	M16	0.088

HAMMOCK HANG KITS
叉叉悬挂盘



HAMMOCK HANG KITS
叉式悬挂盘



HAMMOCK HANG KIT
吊椅配件



HAMMOCK HANG KIT
吊椅配件



HAMMOCK HANG KIT
吊椅配件



HAMMOCK HANG KIT
吊椅配件



SUN SHADE SAIL HARDWARE KIT
遮阳帆配件



PARACORD BRACELET SHACKLE
逃生手链扣



PARACORD BRACELET SHACKLE
逃生手链扣



PARACORD BRACELET SHACKLE
逃生手链扣



PARACORD BRACELET SHACKLE
逃生手链扣



C LINKS
C形链接环



ALUMINUM ALLOY CARABINERS
航空铝保险登山扣



ALUMINUM ALLOY CARABINERS
航空铝登山扣



CASTING WHEELS
精铸手轮



TURNBUCKLE
日式螺旋扣

